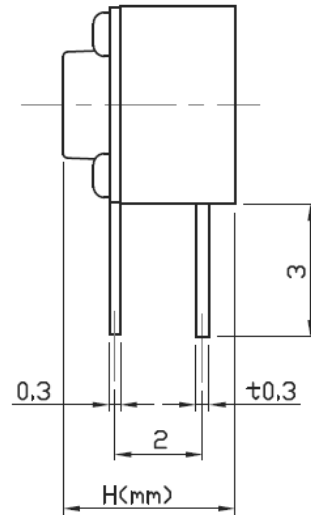
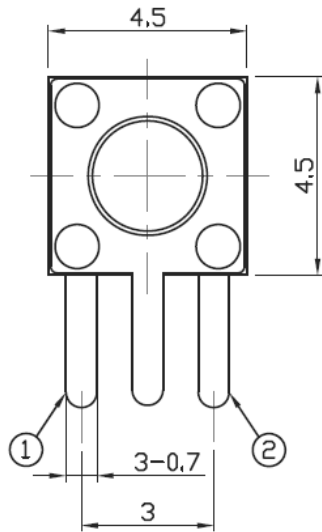
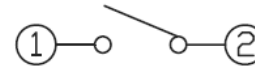


# DIMENSIONS



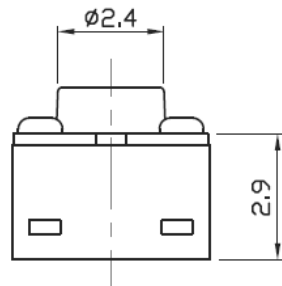
# CIRCUIT DIAGRAM



# ELECTRO-MECHANICAL CHARACTERISTICS

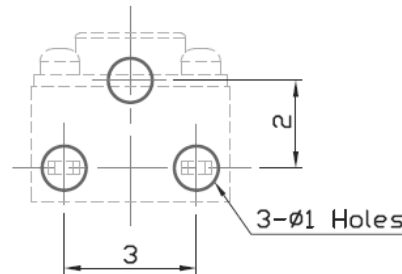
Refer to additional specifications

Rating	DC 12V 50mA	
Contact Resistance	100mΩ Max.	
Travel	0.2 ± 0.1mm	
Operating Force	160±30gf	250±50gf
Operating Life(cycles)	100,000	
General Tolerance	±0.3	



# P.C.B MOUNTING PATTERN DIMENSION

The following soldering patterns are recommended for reflow soldering



		TS33-E	5.0
		TS33-C	4.8
W	White	TS33-B	3.8
R	RED	TS33-A	7.0
□	COLOR	MODEL NO	H


 銓基電子股份有限公司  
 ROKI ELECTRONICS CO., LTD.

PART NAME : TACT SWITCH

PART NO : TS33-□□-□-S1-PF SERIES

TOLERANCE : ±0.3 mm

SCALE :

UNIT : mm

VER : R03

